

# 15 kW Triton Tier 4 Diesel Final Generator TP-K15-T4F



Triton offers a complete line of Tier 4 Final diesel generators from 15 to 1500 kVA. Powerful and Dependable, our Tier 4 products can be open, mobile or stationary, depending upon your requirement. Powering everything from agriculture to health care to government institutions.

## Kubota



### FEATURES

- ✓ Fully Integrated T4F Power Generation System
- ✓ Prototype-tested, Factory Built and Fully Tested
- ✓ Open-Source Components and Controls
- ✓ 125% Full Containment for Fluids
- ✓ Available in Open, Enclosed and Mobile
- ✓ Sub-Base Tank up to 45 hours

### OPTIONS:

- Extended UL Fuel Tank
- Paralleling Systems
- UL2200 and CSA Available
- Extended Warranty
- Trailer with Extended Fuel Capacity
- Variety of Connections Available
- Over 100 different options available (see below)



### OUTPUT RATINGS

Available Voltages at 60Hz	Standby		Prime	
	kW	kVA	kW	kVA
Single Phase, 1.0 Power Factor 110/220, 120/240	11	11	10	10
Three Phase, 0.8 Power Factor 120/208, 277/480	13.5	16.5	12.5	15.5

\*Additional Voltages Available

## OUR TIER FOUR FINAL ENGINES

Only the highest quality Final Tier 4 engines power our mobile generators, offering the maximum performance and versatility. We utilize Kubota (15 to 40 kVA), John Deere (55 to 300 kVA), Scania (350 to 550 kVA) and Volvo (625 to 1500 kVA). Countless hours of lab testing, field prototype machines, and rugged off-highway applications have proven you don't have to sacrifice performance to comply with emissions standards.

## OUR ALTERNATORS

Triton Mobile are equipped with Leroy-Somer alternators. Utilizing the latest technologies and with outputs extending from 5 to 5,000 kW, these alternators are designed to deliver superior efficiencies in Standby, Continuous and Prime generator applications worldwide.

## ENGINE INFORMATION

<i>Engine Make</i>	Kubota
<i>Model</i>	V1505-E4BG1
<i>Tier Rating</i>	Tier 4 Final
<i>Engine Speed (RPM)</i>	1800
<i>Engine Power Output at rated RPM</i>	39 kWm / 48.3 HP
<i>Cooling</i>	Radiator Cooled
<i>Aspiration</i>	Natural
<i>Total Displacement (Liter)</i>	1.498
<i>No. of Cylinders and Build</i>	4, in line
<i>Bore and Stroke</i>	78 x 78.4
<i>Compression Ratio</i>	-
<i>Governor</i>	Mechanical
<i>Fuel Consumption (L/hr)</i>	
<i>Full Load</i>	4.1
<i>75% Load</i>	3
<i>50% Load</i>	2.4
<i>Oil Capacity (Liter)</i>	7
<i>Coolant Capacity (Liter)</i>	2

## ALTERNATOR INFORMATION

<i>Manufacturer</i>	Leroy Somer
<i>Design</i>	Brushless single bearing, revolving field
<i>Stator</i>	2/3 pitch
<i>Rotor</i>	Single bearing, flexible disc
<i>Insulation System</i>	Class H
<i>Standard Temperature Rise</i>	125 -163°C Continuous
<i>Exciter Type</i>	Self Excited
<i>Phase Rotation</i>	A (U), B (V), C (W)
<i>Alternator Cooling</i>	Direct drive centrifugal blower fan
<i>AC Waveform Total Harmonic Distortion</i>	No load < 1.5%. Non distorting balanced linear load < 5%
<i>Telephone Influence Factor (TIF)</i>	<50 per NEMA MG1-22.43
<i>Telephone Harmonic Factor (THF)</i>	<2%

## DEEP SEA 7420 DIGITAL CONTROLLER

- Adaptable for a wide variety of single gen-set applications, supporting diesel, gas and petrol engines.
- Monitors engine speed, oil pressure, coolant temperature, frequency, voltage, current, power and fuel level, giving you comprehensive engine and alternator protection.
- Easy USB configuration via the DSE PC Suite or directly through the controller's panel.
- Additional Synchronization Model (DSE8510) available upon request on customized equipment.





## STANDARD ITEMS

- ✓ Engine System:
  - Oil Drain Pump
  - Tier 4 Final Certification
  - Electronic Governor
  - Full Fluid Containment
- ✓ Fuel System
  - Fuel Valve for External Tank
  - Primary Fuel Filter
  - Fuel Capacity: XXX liters
  - Flexible Fuel Lines
- ✓ Electrical System
  - Side Mounted Control Panel
  - Unit Mounted Mainline Circuit Breaker
  - Battery Switch
- ✓ Cooling System
  - 45° C Ambient Temperature Rating
  - 50/50 Ethylene glycol antifreeze
  - Radiator Drain Extension
- ✓ Generator Set
  - Mounted on Heavy Duty Steel Base
  - Full Factory Load Bank Testing
  - Sub-Base Lifting Points
  - Forklift Pockets for Easy Transport
- ✓ Alternator
  - 12 Lead Leroy-Somer Alternator
- ✓ Enclosure
  - Stainless Steel Hinges and Locks
  - Ultra-Quiet Enclosure
  - Powder Coated Finish
  - Easy Access to All Service Points
  - Fully Sound Attenuated (66db at 7 meters)
  - Advanced Water and Dust Proofing

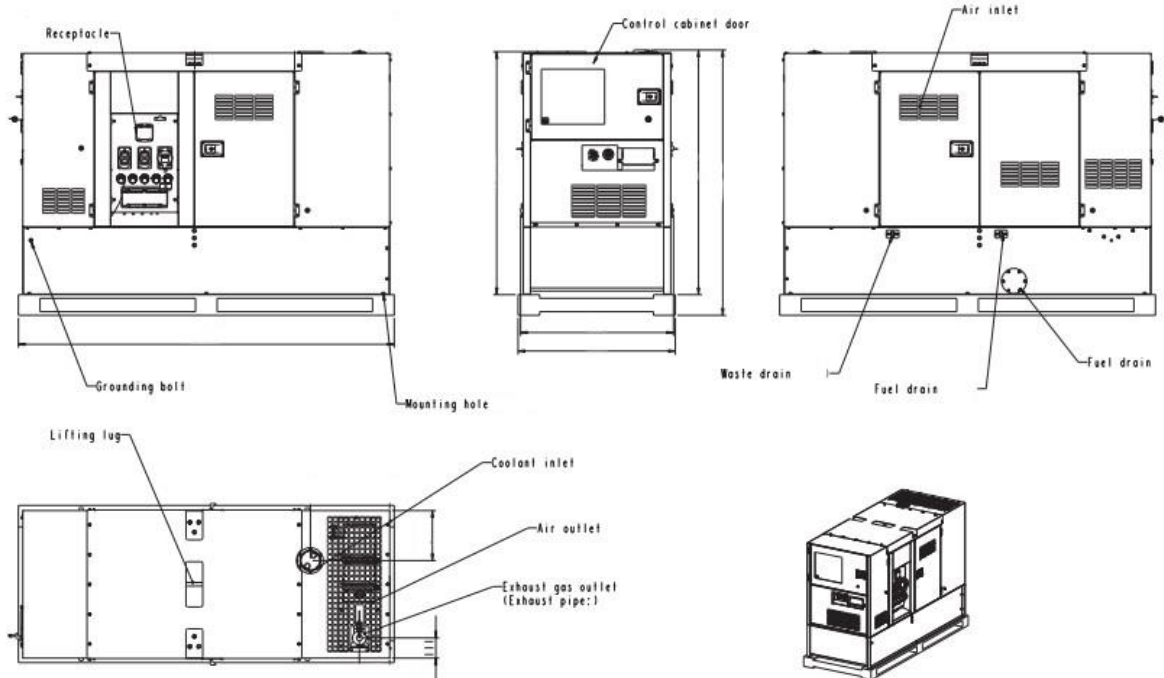
## OPTIONAL ITEMS

- Engine System:
  - Upgraded Exhaust Silencers (Hospital, Residential, Critical)
  - Heavy Duty Air filters
  - Oil Heater
  - Block Heater (Circulating, up to 5000 Watt)
- Fuel System
  - Fuel Cooling System
  - Extended Fuel Tank
- Electrical System
  - 2,3 or 4 Position Voltage Switch
  - Battery Charger (Standard and Float Type)
  - Additional Circuit Breakers
  - Shunt Trips
  - Electrically Controlled Breakers
  - Paralleling Systems
  - Electrical Connections (Cam-Locks, Refer Plugs, Distro Panel, and more)
- Cooling System
  - Upgraded Radiator Systems
  - Marine Grade Radiator
- Generator Set
  - Seismic Isolators
  - Remote Mounted Control System
- Enclosure
  - 20 and 40' Container Packages
  - Custom Paint Colors
- Alternator
  - Marinization (2-3 times dipped)
  - Permanent Magnetic Generator
- Trailer
  - Standard Trailer
  - Trailer with Extended Fuel Tank
  - Rhino Coating
- Additional Options
  - Please inquire, Triton can assist in engineering nearly any option

## WEIGHT AND DIMENSIONS

### Enclosed

Length (mm)	2080
Width (mm)	870
Height (mm)	1415
Dry Weight (kg)	948
Fuel Tank (L)	110



\*Drawings are representative only and do not reflect actual product

## ENCLOSURE FEATURES AND BENEFITS

- ✓ Made of high-quality steel and completely powder coated. The paint has a three-step process ensuring protection against erosion, scratching, and corrosion.
- ✓ Advanced water and dust proof design of service doors and canopy board, effectively stopping intrusion from natural elements.
- ✓ Noise reduction enhanced by an exhaust silencer and high quality interior acoustic lining that is sound absorbent and fire-retardant
- ✓ Built for easy installation, maintenance and transport
- ✓ Lifting eyes located at base make it easier to move and transport.
- ✓ Easy to Maintain with Access on both sides, includes Integral base drainage outlets, modular enclosure for easy parts replacement.

TRITON POWER CORP  
8511 NW 61 STREET MIAMI, FL USA  
305-592-6300 Fax: 305-592-5900  
email: [info@tritonpower.com](mailto:info@tritonpower.com)  
website: [tritonpower.com](http://tritonpower.com)

Manufacturer reserves the right to make changes in model, technical specifications, color, equipment and accessories without prior notice. All photos are representative and may not reflect exact model