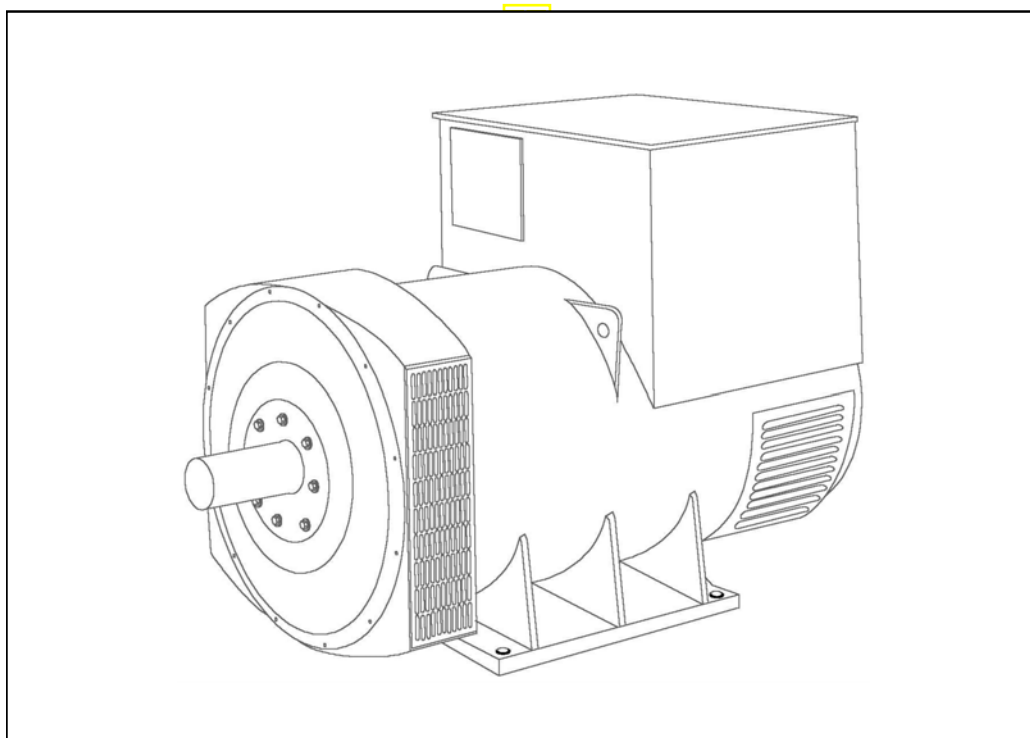


STAMFORD®

HCI634H - Winding 07

Technical  Data Sheet



HCI634H

SPECIFICATIONS & OPTIONS

STANDARDS

Stamford industrial generators meet the requirements of BS EN 60034 and the relevant section of other international standards such as BS5000, VDE 0530, NEMA MG1-32, IEC34, CSA C22.2-100, AS1359. Other standards and certifications can be considered on request.

VOLTAGE REGULATORS**MX321 AVR - STANDARD**

This sophisticated Automatic Voltage Regulator (AVR) is incorporated into the Stamford Permanent Magnet Generator (PMG) system and is fitted as standard to generators of this type.

The PMG provides power via the AVR to the main exciter, giving a source of constant excitation power independent of generator output. The main exciter output is then fed to the main rotor, through a full wave bridge, protected by a surge suppressor. The AVR has in-built protection against sustained over-excitation, caused by internal or external faults. This de-excites the machine after a minimum of 5 seconds. Over voltage protection is built-in and short circuit current level adjustments is an optional facility.

WINDINGS & ELECTRICAL PERFORMANCE

All generator stators are wound to 2/3 pitch. This eliminates triplen (3rd, 9th, 15th ...) harmonics on the voltage waveform and is found to be the optimum design for trouble-free supply of non-linear loads. The 2/3 pitch design avoids excessive neutral currents sometimes seen with higher winding pitches, when in parallel with the mains. A fully connected damper winding reduces oscillations during paralleling. This winding, with the 2/3 pitch and carefully selected pole and tooth designs, ensures very low waveform distortion.

TERMINALS & TERMINAL BOX

Standard generators feature a main stator with 6 ends brought out to the terminals, which are mounted on the frame at the non-drive end of the generator. A sheet steel terminal box contains the AVR and provides ample space for the customers' wiring and gland arrangements. It has removable panels for easy access.

SHAFT & KEYS

All generator rotors are dynamically balanced to better than BS6861:Part 1 Grade 2.5 for minimum vibration in operation. Two bearing generators are balanced with a half key.

INSULATION/IMPREGNATION

The insulation system is class 'H'. All wound components are impregnated with materials and processes designed specifically to provide the high build required for static windings and the high mechanical strength required for rotating components.

QUALITY ASSURANCE

Generators are manufactured using production procedures having a quality assurance level to BS EN ISO 9001.

The stated voltage regulation may not be maintained in the presence of certain radio transmitted signals. Any change in performance will fall within the limits of Criteria 'B' of EN 61000-6-2:2001. At no time will the steady-state voltage regulation exceed 2%.

DE RATES

All values tabulated on page 6 are subject to the following reductions

- 5% when air inlet filters are fitted.
- 10% when IP44 filters are fitted.
- 3% for every 500 metres by which the operating altitude exceeds 1000 metres above mean sea level.
- 3% for every 5 C by which the operational ambient temperature exceeds 40 C.

Note: Requirement for operating in an ambient exceeding 60 C must be referred to the factory.

NB Continuous development of our products entitles us to change specification details without notice, therefore they must not be regarded as binding.

Front cover drawing typical of product range.

APPROVED DOCUMENT

HCI634H WINDING 07

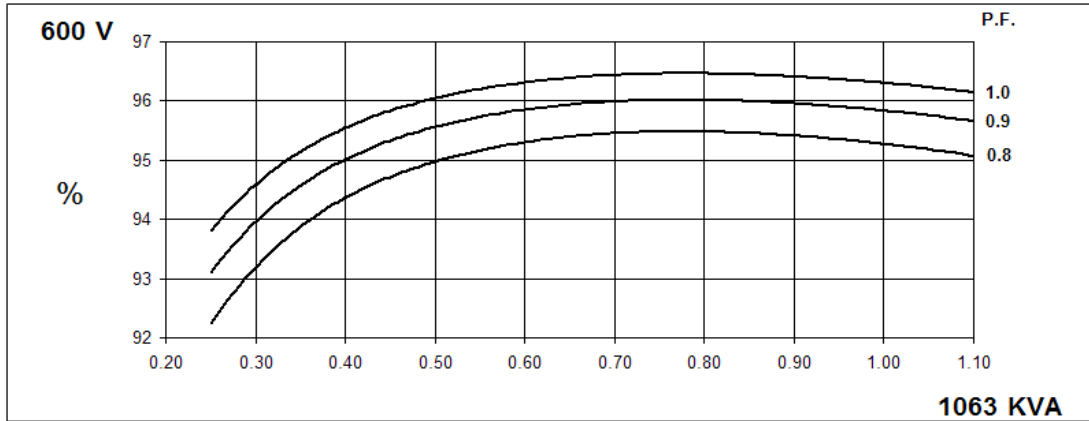
STAMFORD

CONTROL SYSTEM		SEPARATELY EXCITED BY P.M.G.	
A.V.R.	MX321		
VOLTAGE REGULATION	± 0.5 %	With 4% ENGINE GOVERNING	
SUSTAINED SHORT CIRCUIT		REFER TO SHORT CIRCUIT DECREMENT CURVES (page 5)	
INSULATION SYSTEM		CLASS H	
PROTECTION		IP23	
RATED POWER FACTOR		0.8	
STATOR WINDING		DOUBLE LAYER LAP	
WINDING PITCH		TWO THIRDS	
WINDING LEADS		6	
STATOR WDG. RESISTANCE		0.0036 Ohms PER PHASE AT 22°C SERIES STAR CONNECTED	
ROTOR WDG. RESISTANCE		1.88 Ohms at 22°C	
EXCITER STATOR RESISTANCE		17 Ohms at 22°C	
EXCITER ROTOR RESISTANCE		0.079 Ohms PER PHASE AT 22°C	
R.F.I. SUPPRESSION		BS EN 61000-6-2 & BS EN 61000-6-4, VDE 0875G, VDE 0875N. refer to factory for others	
WAVEFORM DISTORTION		NO LOAD < 1.5% NON-DISTORTING BALANCED LINEAR LOAD < 5.0%	
MAXIMUM OVERSPEED		2250 Rev/Min	
BEARING DRIVE END		BALL. 6224 (ISO)	
BEARING NON-DRIVE END		BALL. 6317 (ISO)	
		1 BEARING	2 BEARING
WEIGHT COMP. GENERATOR	2117 kg		2145 kg
WEIGHT WOUND STATOR	1010 kg		1010 kg
WEIGHT WOUND ROTOR	866 kg		821 kg
WR ² INERTIA	20.0438 kgm ²		19.4965 kgm ²
SHIPPING WEIGHTS in a crate	2173 kg		2180 kg
PACKING CRATE SIZE	183 x 92 x 140(cm)		183 x 92 x 140(cm)
TELEPHONE INTERFERENCE	THF < 2%		TIF < 50
COOLING AIR		1.961 m ³ /sec 4156 cfm	
VOLTAGE STAR		600V	
VOLTAGE DELTA		346V	
kVA BASE RATING FOR REACTANCE VALUES		1063	
X _d DIR. AXIS SYNCHRONOUS		2.18	
X' _d DIR. AXIS TRANSIENT		0.18	
X'' _d DIR. AXIS SUBTRANSIENT		0.12	
X _q QUAD. AXIS REACTANCE		1.28	
X'' _q QUAD. AXIS SUBTRANSIENT		0.15	
X _L LEAKAGE REACTANCE		0.06	
X ₂ NEGATIVE SEQUENCE		0.15	
X ₀ ZERO SEQUENCE		0.02	
REACTANCES ARE SATURATED		VALUES ARE PER UNIT AT RATING AND VOLTAGE INDICATED	
T' _d TRANSIENT TIME CONST.		0.185s	
T'' _d SUB-TRANSTIME CONST.		0.025s	
T' _{do} O.C. FIELD TIME CONST.		2.44s	
T _a ARMATURE TIME CONST.		0.04s	
SHORT CIRCUIT RATIO		1/X _d	

HCI634H
Winding 07

STAMFORD

THREE PHASE EFFICIENCY CURVES



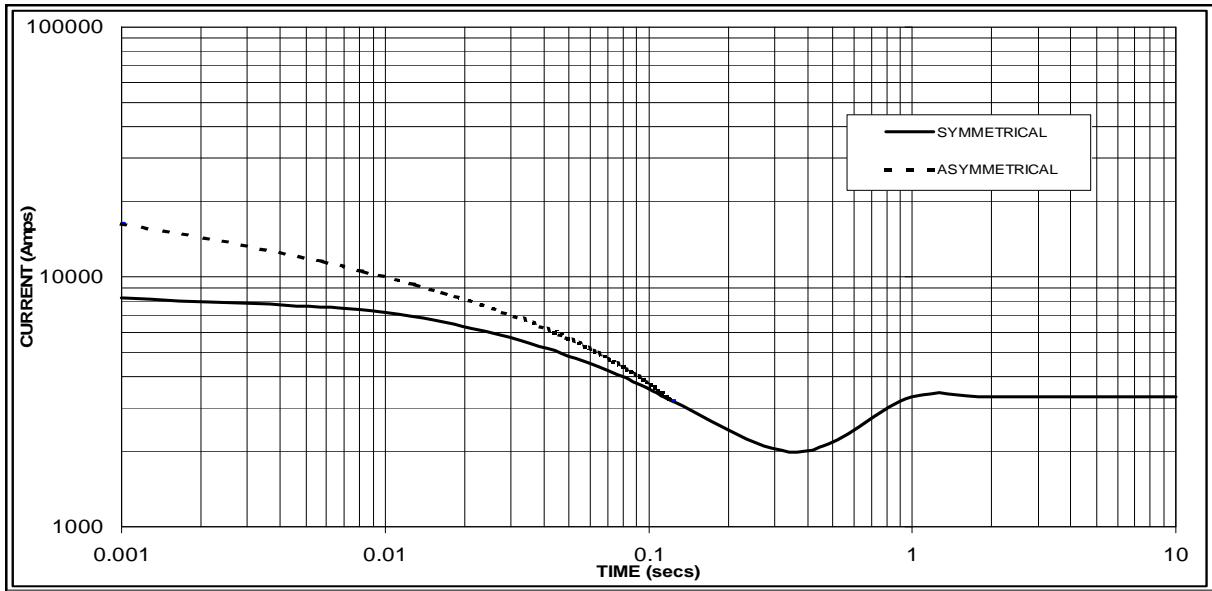
ROVMD

Locked Rotor Motor Starting Curve



HCI634H
Winding 07

Three-phase Short Circuit Decrement Curve. No-load Excitation at Rated Speed
Based on star (wye) connection.



Sustained Short Circuit = 3300 Amps

Note

The following multiplication factor should be used to convert the values from curve for the various types of short circuit :

	3-phase	2-phase L-L	1-phase L-N
Instantaneous	x 1.00	x 0.87	x 1.30
Minimum	x 1.00	x 1.80	x 3.20
Sustained	x 1.00	x 1.50	x 2.50
Max. sustained duration	10 sec.	5 sec.	2 sec.

All other times are unchanged

HCI634H
Winding 07 / 0.8 Power Factor

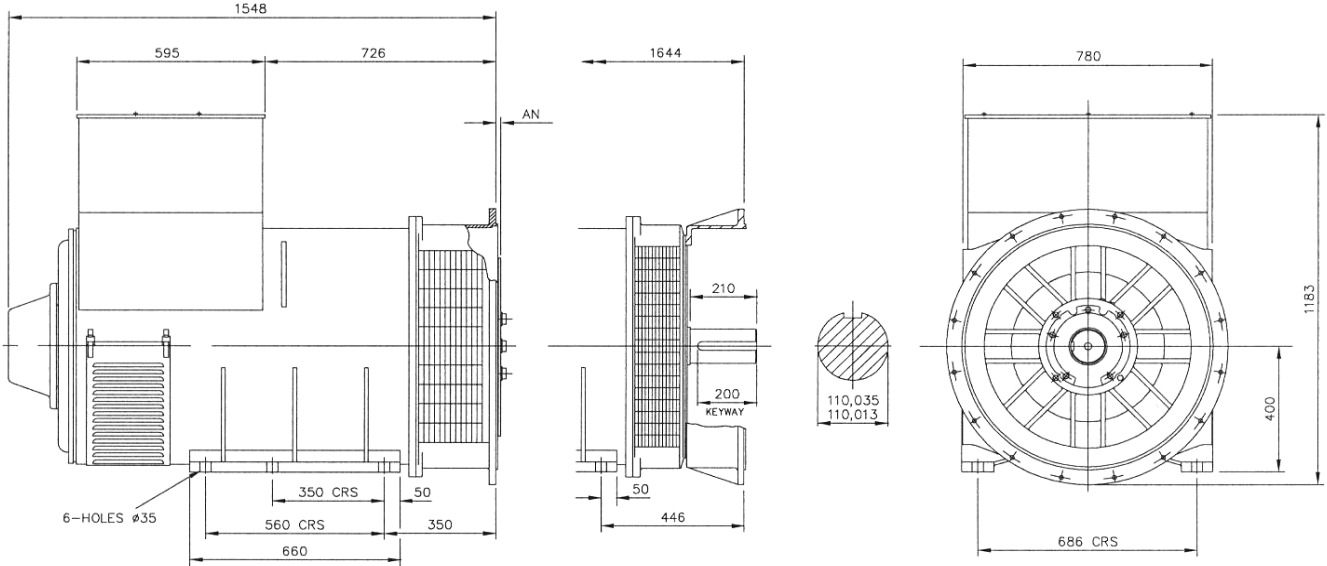
60Hz

RATINGS

Class - Temp Rise	Cont. F - 105/40°C	Cont. H - 125/40°C	Standby - 150/40°C	Standby - 163/27°C
Star (V)	600	600	600	600
Delta (V)	346	346	346	346
kVA	963	1063	1125	1163
kW	770	850	900	930
Efficiency (%)	95.4	95.3	95.2	95.1
kW Input	808	893	946	979

DIMENSIONS

APPROVED



SAE	14	18	21	24
AN	25.4	15.87	0	0

APPROVED DOCUMENT

STAMFORD

Head Office Address:
Barnack Road, Stamford
Lincolnshire, PE9 2NB
United Kingdom
Tel: +44 (0) 1780 484000
Fax: +44 (0) 1780 484100

www.cumminsgeneratortechnologies.com

Copyright 2010, Cummins Generator Technologies Ltd, All Rights Reserved
Stamford and AvK are registered trade marks of Cummins Generator Technologies Ltd
Cummins and the Cummins logo are registered trade marks of Cummins Inc.