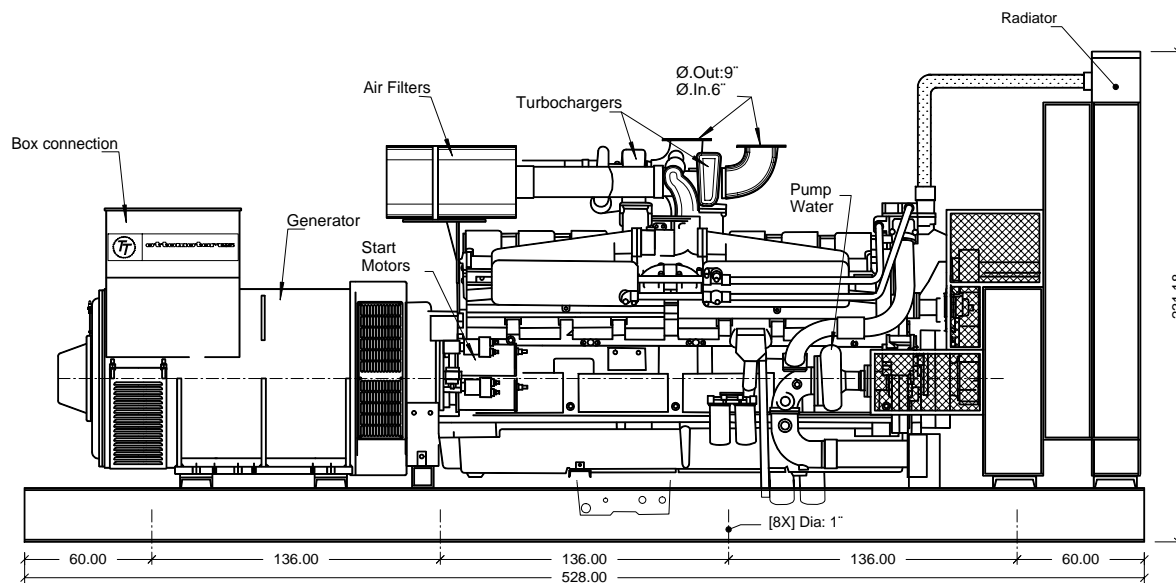
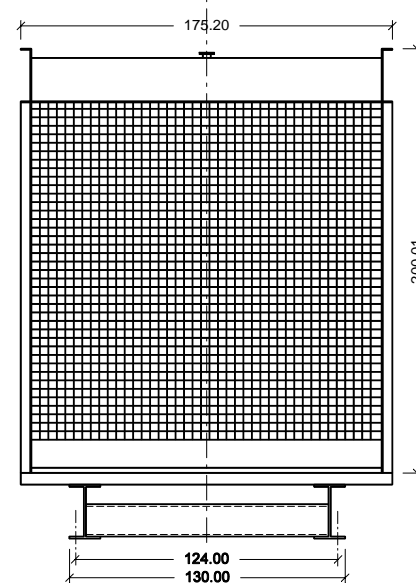


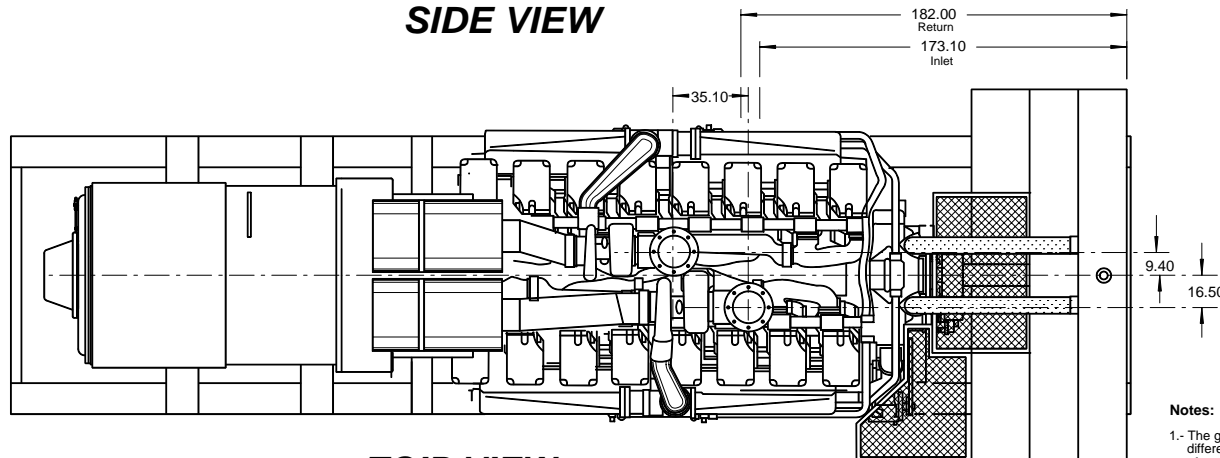
MODELS
CNE1430
CNY1250



**SIDE VIEW**



**FRONT VIEW**



**TOIP VIEW**

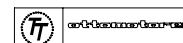
DESCRIPTION	
RADIATOR :	55705
ENGINE :	KTA 50 G3
AIR FILTER :	AH1135 (2X)
TOTAL WEIGHT :	9300.0 Kgs.
SPRING (AVMS) :	8 PZS.

**Notes:**

- 1.- The genset dimensions are the same by family model, there could be only differences on the alternator length see specific general arrangement drawing of certain model.
- 2.- Ottomotors keeps the right to modify the information without prior notice.

ITEM	DESCRIPTION	CERTIFICATED	DATE
REVIEWS			

CUSTOMER:		DRAW: ROGELIO GONZALEZ C.		<b>CUMMINS ENGINE KTA50G3 NEWAGE ALTERNATOR</b>	
DESIGN: ROGELIO GONZALEZ C.		REVISED: ING. FRANCISCO HARO M.			
REVISED: ING. FRANCISCO HARO M.		REVISED:			
CERTIFICATED: ING. FRANCISCO HARO M.		PURCHASE ORDER:			
WARRS:		SCALE: S/E		DATE: MAY 12 2004	
DRAWINGS MADE IN MEXICO D.F.		CM		CODE: <b>CNE/Y-16</b>	
				DRW: CF:	



CALZ. SAN LORENDO No. 1150 COL. CERRO DE LA ESTRELLA  
DEL. IZTAPALAPA C.P. 06860 TEL. CONA: 5624-56-00  
FAX: 5426-56-21 / 5426-56-81  
www.ottomotors.com.mx