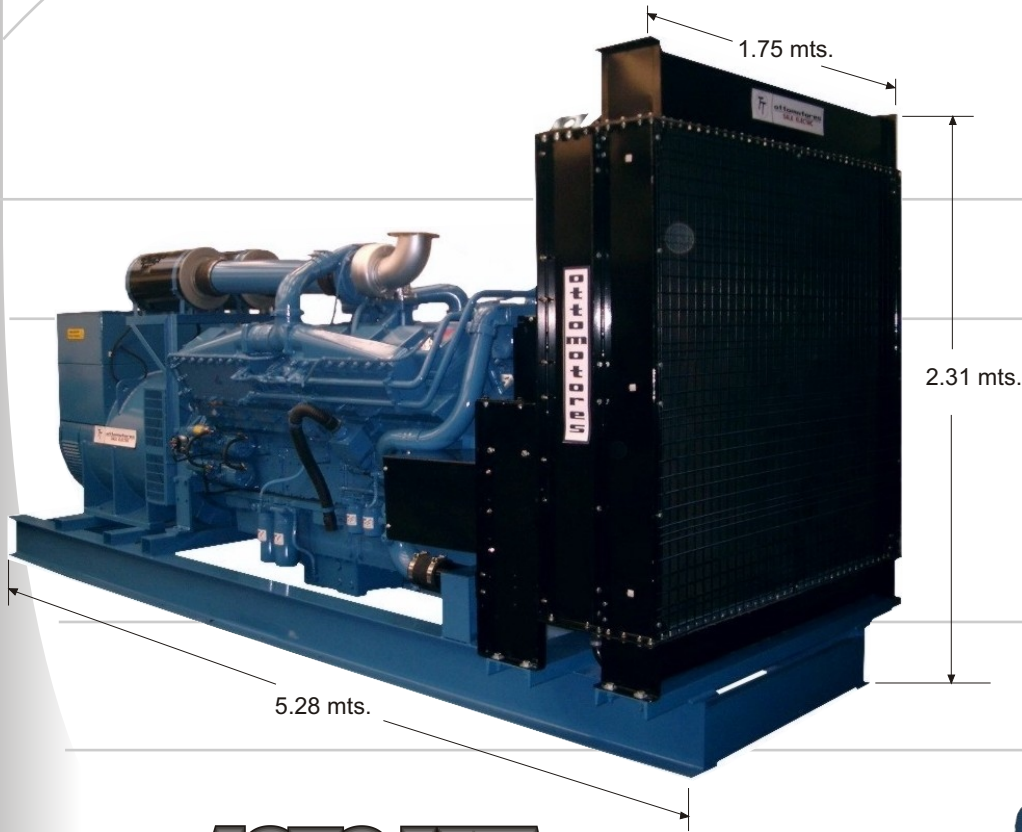




KTA50G3

ENGINE DATA SHEET 60 Hz.

Brand: _____ Cummins
 Type: _____ 4 Cycle
 Engine: _____ KTA50G3
 Gross engine power output: _____ 1850 BHP a 1800 rpm.
 Cylinder: _____ 16 In "V".
 Bore x Stroke: _____ 159 x 159 mm.
 Displacement: _____ 50.3 Lts.
 Piston speed: _____ 9.5 m / Seg.
 Compression Ratio: _____ 13.9 : 1
 Fuel Consumption: _____ 330.0 Lts. / Hrs.
 Aspiration: _____ Turbocharged and Aftercooled.
 Electrical System: _____ 24 Volts.
 Oil Total Sistem Capacity: _____ 177.0 Lts.
 Electric Governor: _____ Electronic
 Water Preheater: _____ [2X] 1000 Watts.



1250 kVA



For more drawings with different generators visit our web site