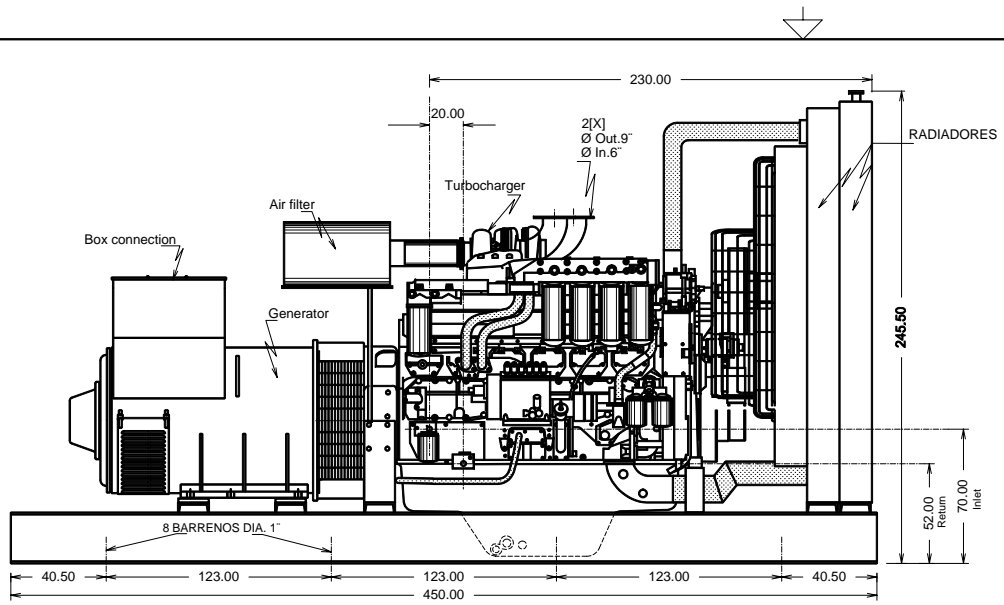
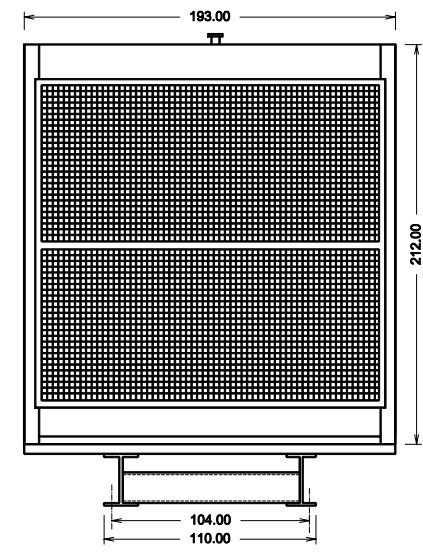


MODELS
CNE1100
CNY1000

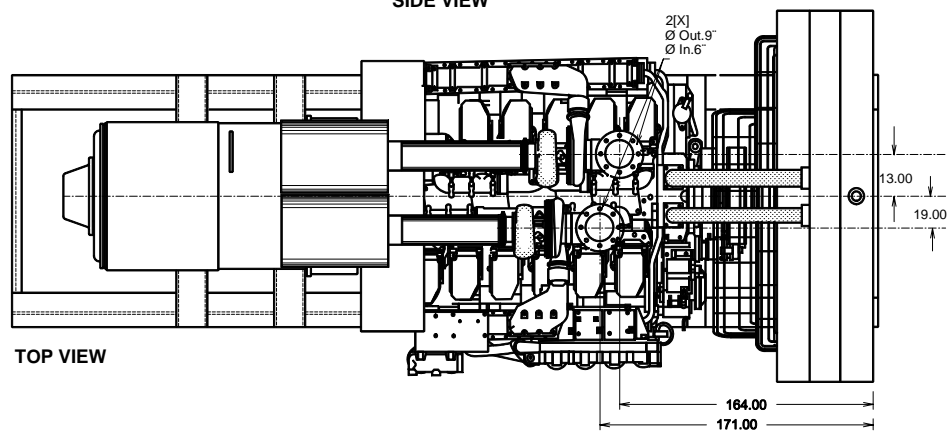


SIDE VIEW



FRONT VIEW


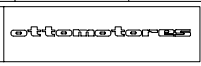
DESCRIPTION	
RADIATOR:	OV32 5H
ENGINE:	QST 30 G4
AIR: FILTER:	AH1135 (2X)
BASE FRAME:	BP-QSTG4-STF
# SPRING AVMS:	8 PZS



TOP VIEW

-THE GENSET DIMENSIONS ARE THE SAME BY FAMILY MODEL, THERE COULD BE ONLY DIFFERENCES ON THE ALTERNATOR LENGTH SEE SPECIFIC GENERAL ARRANGEMENT DRAWING OF CERTAIN MODEL
-TOTAL WEIGHT COULD VARY CHECK RATING CHART FOR EACH MODEL

Customer: _____ S/O: _____

Title: CUMMINS ENGINE QST30G4 - STAMFORD ALTERNATOR			
Draw: R.G.C.	Revised: F.H.M.	Certificated: F.H.M.	Code: CNEY-14
Date: JAN 05th 2005	Date: JAN 05th 2005	Date: JAN 05th 2005	Dept.: Engineering
 			Marks: cms Scale: s/e Draw: _____ Of: _____
Rev.	Description	Date	Certificated
Reviews			
Otomotors keeps the right to change the information with out prior notice			